

# *E-xtreme*

Make Essence to Extreme

Smaller

Lighter

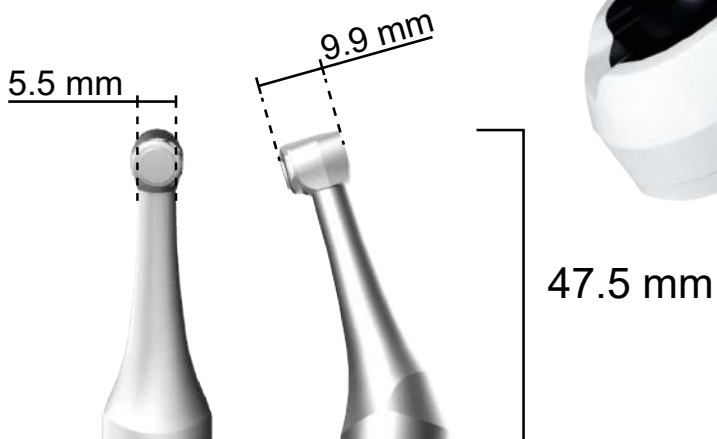
Quieter than ever



## Specifications

E-CAN Mini Contra Angle

Weight: 23.5 g



# ***E-connect***

Cordless Endomotor



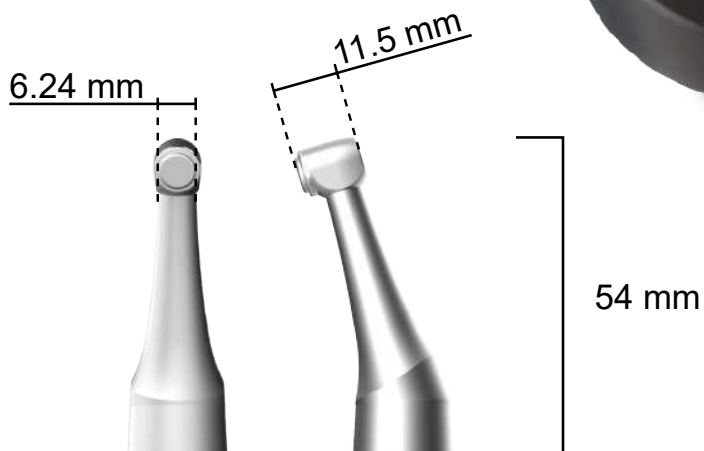
Connect with E-PEX



## Specifications

E2 Contra Angle

Weight: 45 g



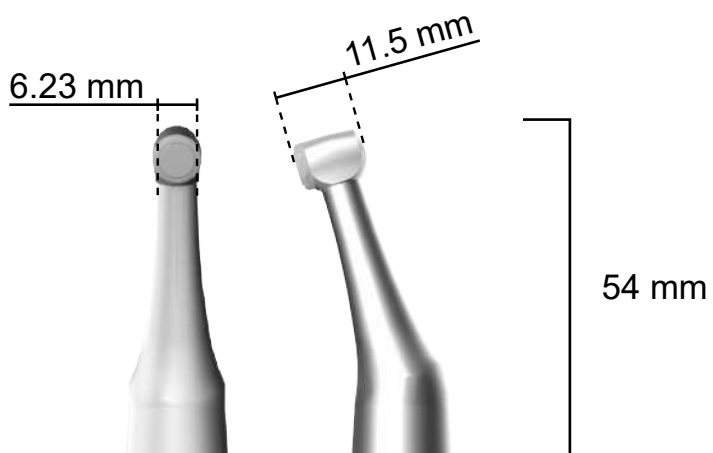
# ***E-value***

Brushless Endo Motor

## Specifications

E-CAN Pro Contra Angle

Weight: 25 g

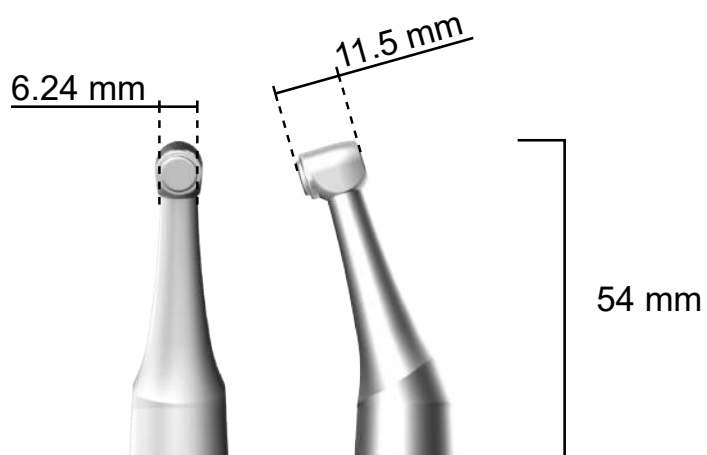


# ***E-connect S***

Endomotor With  
Built-in Apex Locator

## Specifications

E2 Contra Angle  
Weight: 45 g

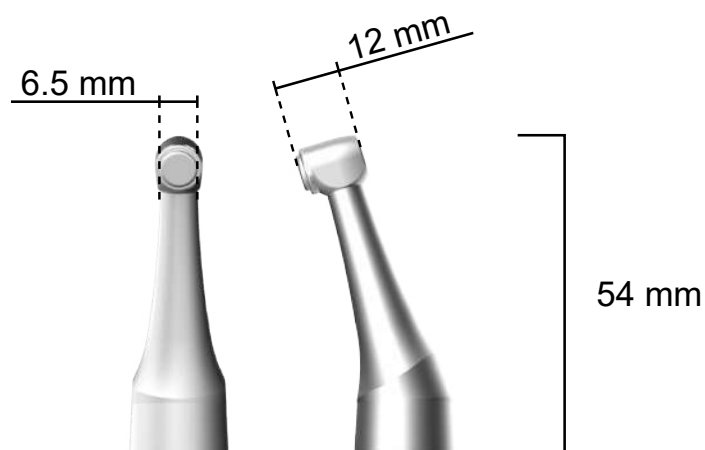


# ***E-connect S+***

Endomotor With  
Built-in Apex Locator

## Specifications

E-CAN Pro+ Contra Angle  
Weight: 24 g



# Comparison



*E-xtreme*



99 g



120-650 rpm



0.5-4.0 N·cm



REC, FWD, REV



360°



800 mAh



*E-connect*



160 g



120-1000 rpm



0.5-4.0 N·cm



REC, FWD, REV



360°



1500 mAh



Connect with E-PEX



*E-value*



160 g



120-1000 rpm



0.5-4.0 N·cm



ATC, REC, FWD, REV



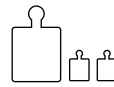
360°



1900 mAh



*E-connect S*



170 g



120-1000 rpm



0.5-4.0 N·cm



ATC, REC, FWD, REV



360°



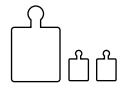
1500 mAh



Built-in Apex Locator



*E-connect S+*



166 g



50-1500 rpm



0.5-5.0 N·cm



ATC, REC, FWD, REV



360°



1900 mAh



Built-in Apex Locator





***E-xtreme***

***E-connect***

***E-value***

***E-connect S***

***E-connect S+***